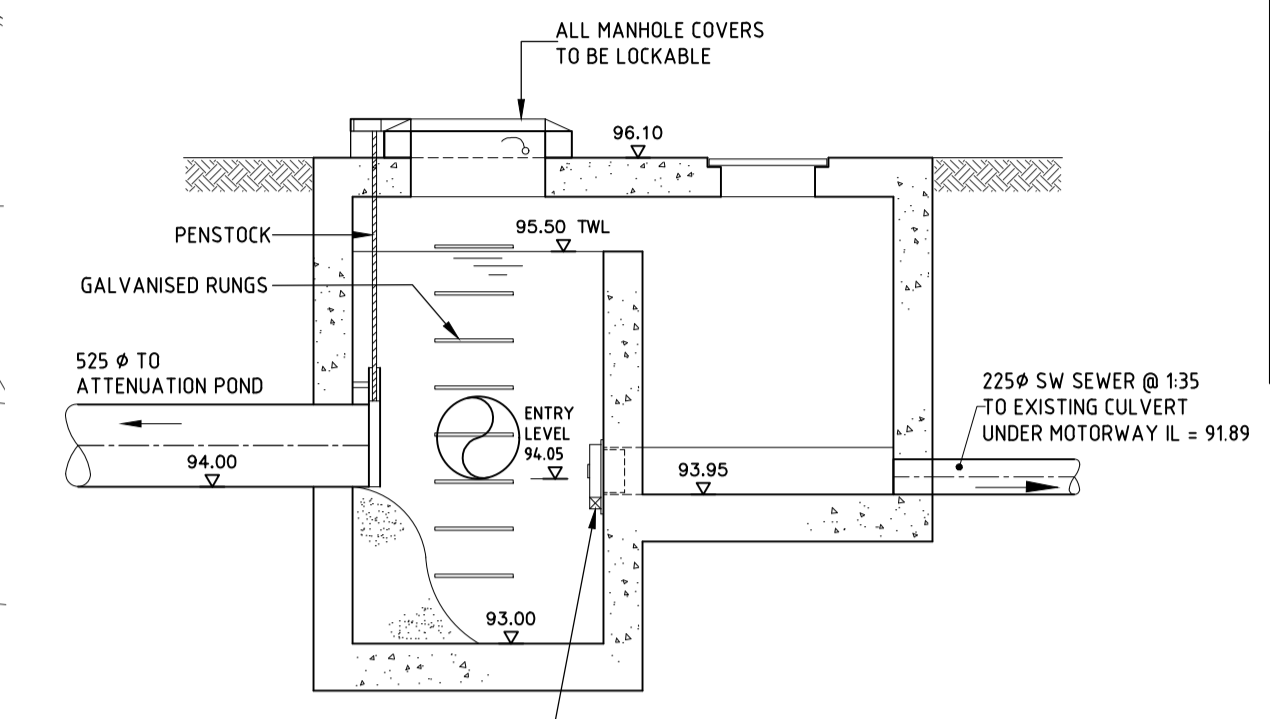
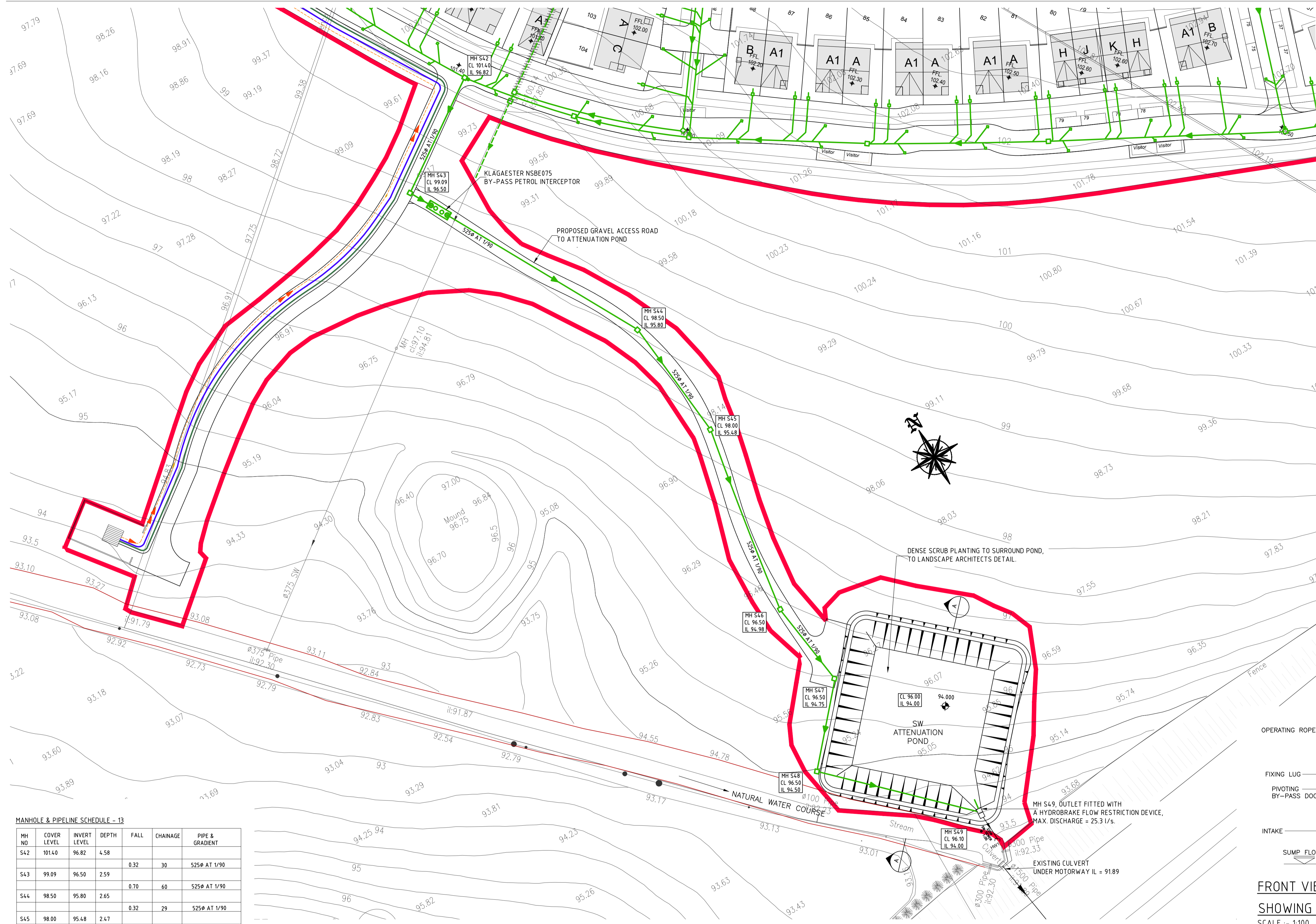
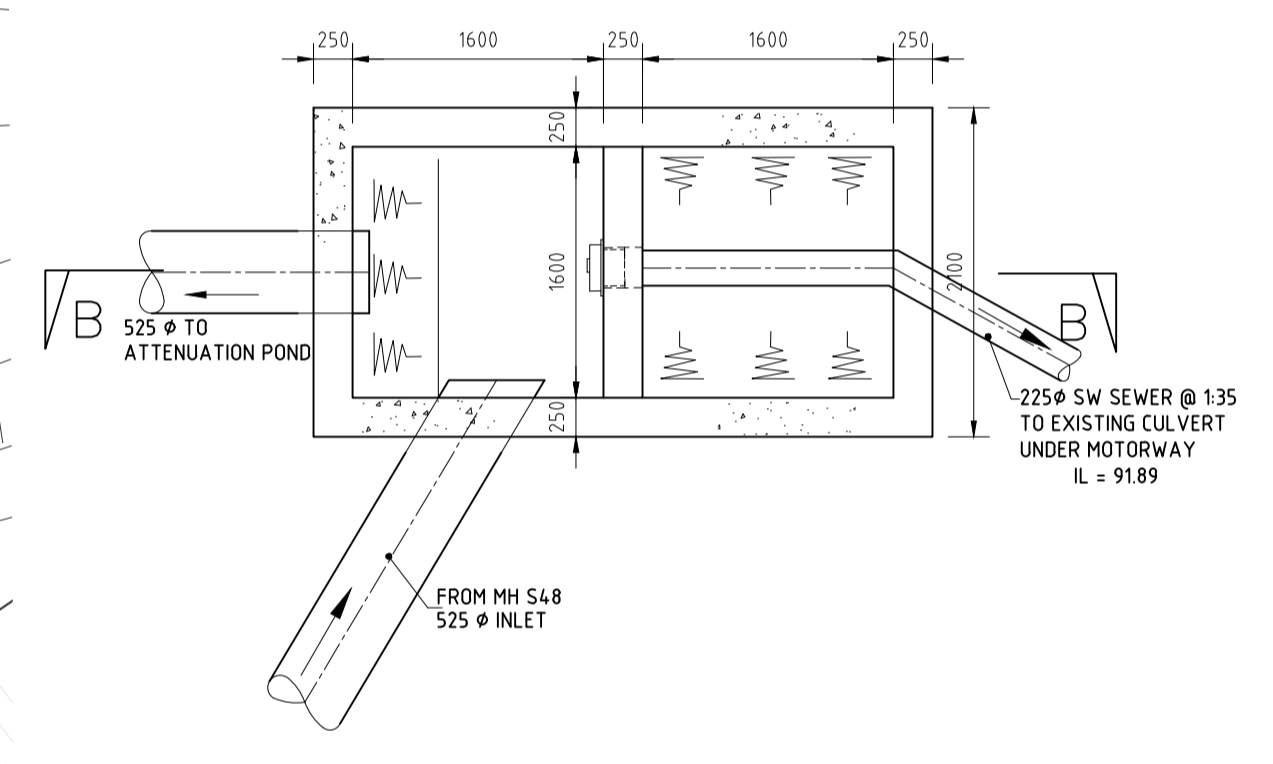


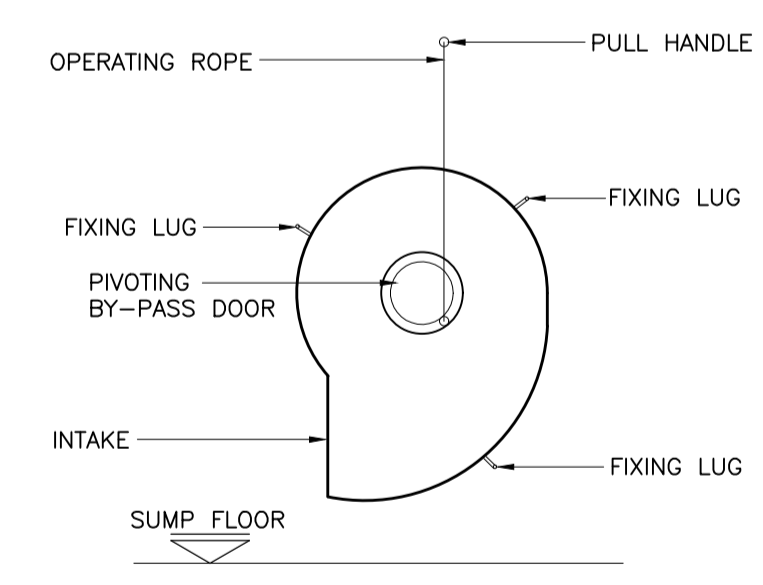
- NOTES:**
- This drawing is to be read in conjunction with all relevant Architect's and Engineer's drawings and specifications & Irish Water code of practice.
  - Surface Water Layout contained on Drawings 12021\_206, 12021\_207 & 12021\_211.



MH S49, OUTLET FITTED WITH A HYDROBRAKE FLOW RESTRICTION DEVICE, MAX. DISCHARGE = 25.3 l/s.  
**SECTION B-B**  
SCALE 1:50



**PLAN ON PROPOSED FLOW CONTROL CHAMBER**  
SCALE 1:50

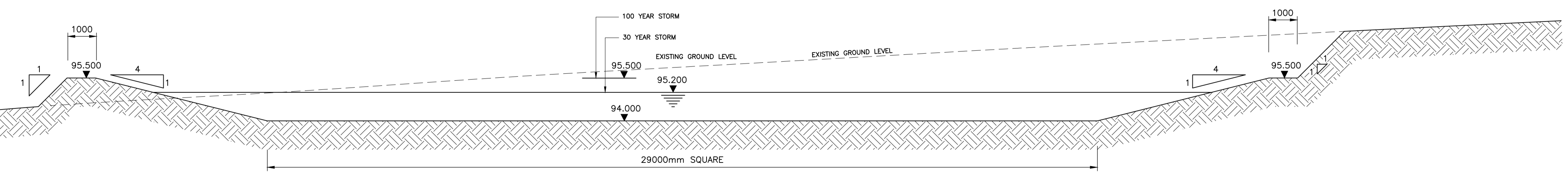


**FRONT VIEW OF HYDROBRAKE**  
SHOWING CORRECT ORIENTATION  
SCALE - 1:100

**MANHOLE & PIPELINE SCHEDULE - 13**

MH NO	COVER LEVEL	INVERT LEVEL	DEPTH	FALL	CHAINAGE	PIPE & GRADIENT
S42	101.40	96.82	4.58	0.32	30	525mm AT 1/90
S43	99.09	96.50	2.59	0.70	60	525mm AT 1/90
S44	98.50	95.80	2.65	0.32	29	525mm AT 1/90
S45	98.00	95.48	2.47	0.50	45	525mm AT 1/90
S46	96.50	94.98	1.47	0.23	20	525mm AT 1/90
S47	96.50	94.75	2.30	0.25	22	525mm AT 1/90
S48	96.50	94.50	2.35	0.50	40	525mm AT 1/75
S49	96.10	94.00	2.10			

**SURFACE WATER SITE OUTFALL CONNECTION**  
SCALE 1:500 AT A1



**SECTION A-A THRU ATTENUATION POND**  
SCALE - 1:100

REV	DESCRIPTION	DATE
P	ISSUED FOR PLANNING (ABP)	27/08/2018

**Donnelly Troy & Associates**  
CONSULTING STRUCTURAL & CIVIL ENGINEERS  
First Floor  
Richmond House  
Richmond Road  
Fairview, Dublin 3.  
Telephone: 8532223  
Fax: 8532224  
info@donnelly-troy.com

ARCHITECT  
JFOC ARCHITECTS  
11A GREENMOUNT HOUSE,  
HAROLDS CROSS, DUBLIN 6w.

PROJECT  
PROPOSED RESIDENTIAL DEVELOPMENT  
AT BALLYMANY, CO. KILDARE  
FOR GLAN DEVELOPMENTS

DRG. TITLE  
SW ATTENUATION POND  
CONNECTION AND DETAILS

drawn by	JJ	scales	AS SHOWN @ A1
checked by	S.C.	date	AUG'18
JOB No.	12021	DRG. No.	211
		REV.	P